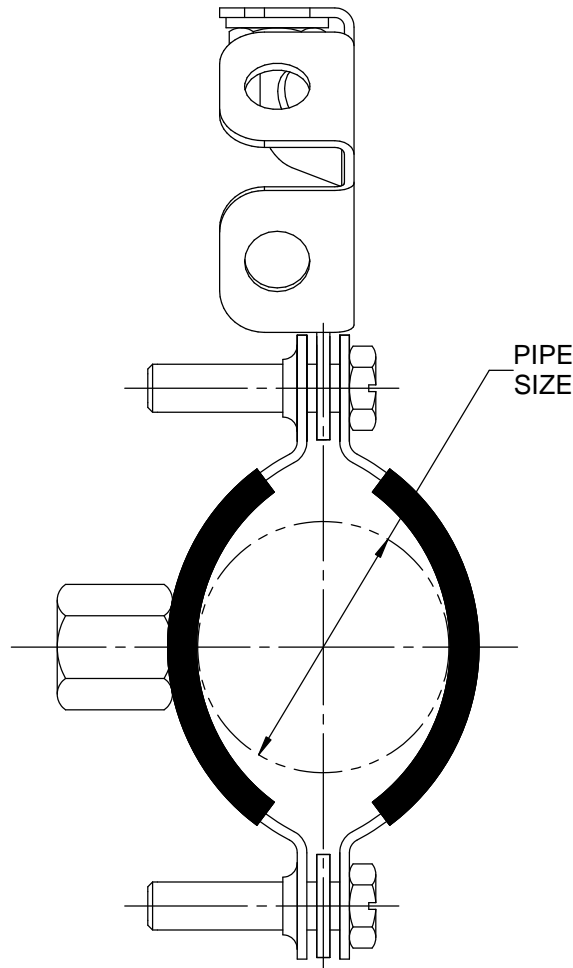


SPECIFICATION:

JOSAM ADJUSTABLE HANGER FOR PUSH-FIT™ PIPE.

**SS ACCESSORY
PUSH-FIT
ADJUSTABLE HANGER**

SERIES JA 3020-3032



PART NO	PIPE SIZE
JA-3020	1-1/2" [42]
JA-3022	2" [53]
JA-3024	3" [73]
JA-3026	4" [102]
JA-3030	6" [159]
JA-3032	8" [120]

DIMENSIONS IN INCHES [mm] UNLESS OTHERWISE NOTED.

DATE OF LAST CHANGE: 7/19/18

DIMENSIONS ARE SUBJECT TO MANUFACTURERS TOLERANCES AND CHANGE WITHOUT NOTICE. WE CAN ASSUME NO RESPONSIBILITY FOR USE OF SUPERSEDED OR VOID DATA.

JOSAM
MICHIGAN CITY, INDIANA

NOTES

⚠ WARNING: Cancer and Reproductive Harm - www.P65Warnings.ca.gov