

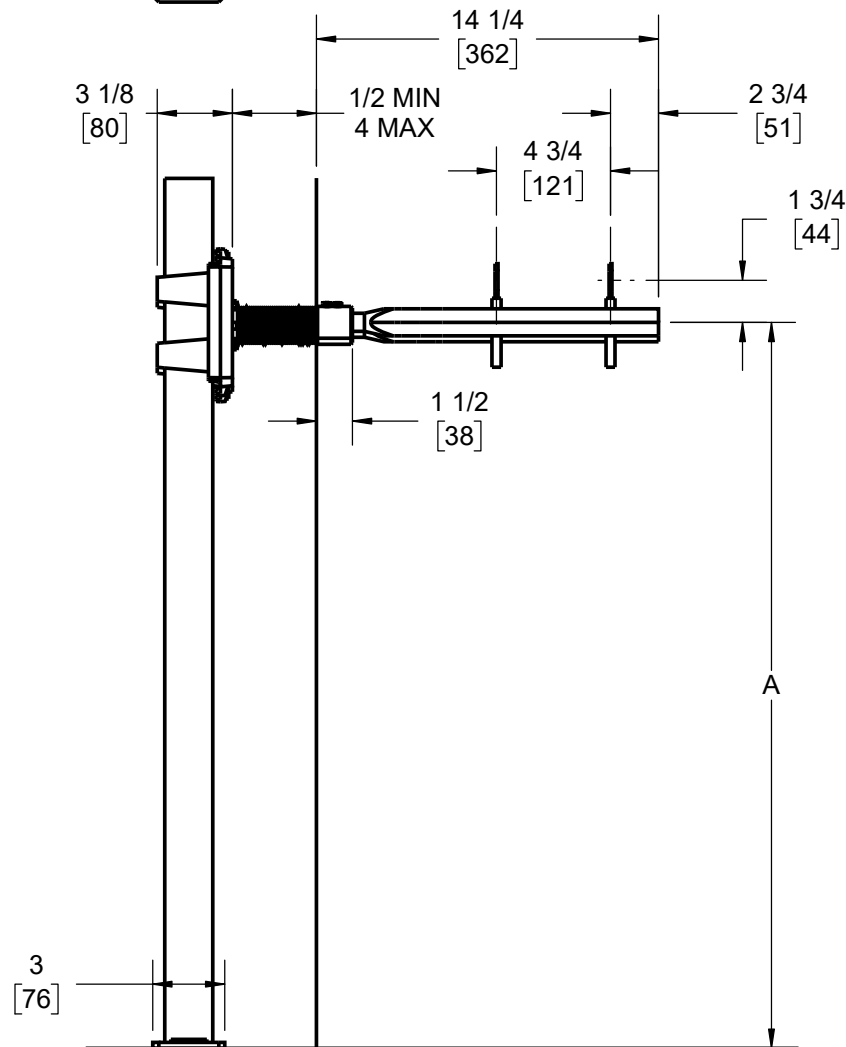
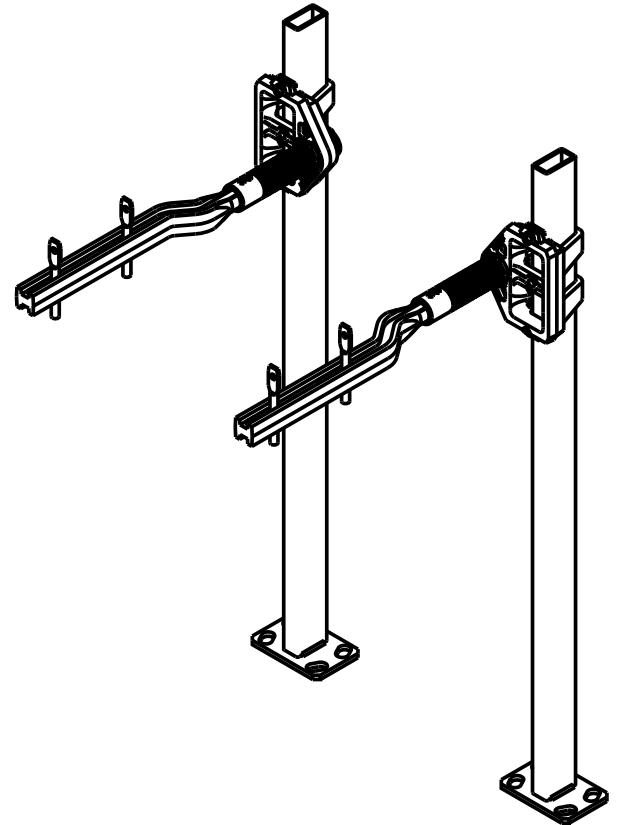
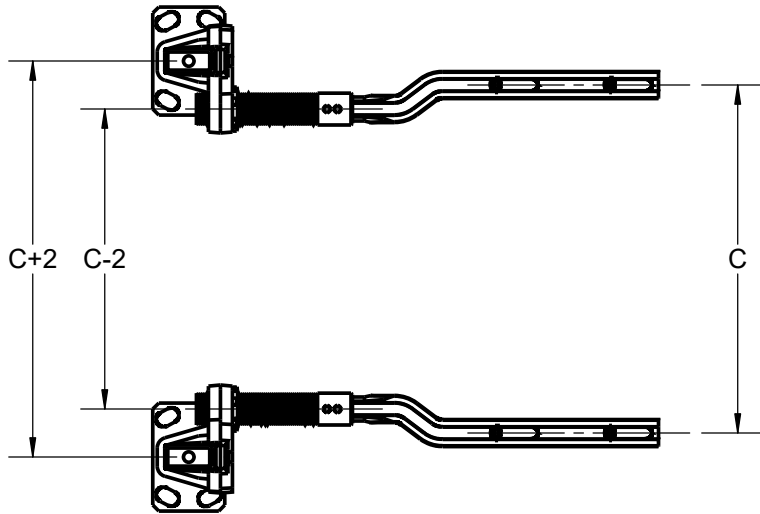
SPECIFICATION:

JOSAM 17100-M628 SERIES FLOOR-MOUNTED SINGLE LAVATORY CARRIER CARRIER WITH OFFSET CONCEALED ARMS, LUG SECURING BOLTS, STRUCTURAL UPRIGHTS FOR FIXTURES WITH SECURING LUGS.

**LAVATORY CARRIER
CONCEALED OFFSET ARM**

SERIES **17100-M628**

JOSAM RECOMMENDS - FEET BE SECURED TO FLOOR WITH 1/2" BOLTS AND ANCHORS BY OTHERS



MANUFACTURER _____

NUMBER _____

SIZE _____

NAME _____

DIMENSIONS

A _____

C _____

F _____

RIM HEIGHT
BASED ON "A" DIM SHOWN

WARNING: Cancer and Reproductive Harm - www.P65Warnings.ca.gov

DATE OF LAST CHANGE: 05/24/18

DIMENSIONS ARE SUBJECT TO MANUFACTURERS TOLERANCES AND CHANGE WITHOUT NOTICE. WE CAN ASSUME NO RESPONSIBILITY FOR USE OF SUPERSEDED OR VOID DATA.



MICHIGAN CITY, INDIANA

NOTES