

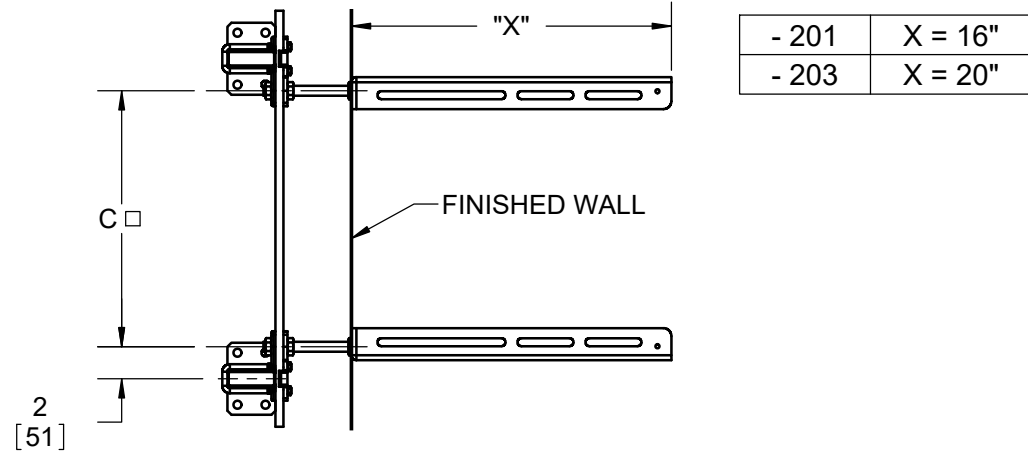
SPECIFICATION:

JOSAM 17380-HD SERIES FLOOR-MOUNTED, SINGLE HEAVY-DUTY SINK CARRIER WITH EXPOSED ACID-RESISTING WHITE COATED ARMS, LEVELING AND SECURING SCREWS, STRUCTURAL UPRIGHTS, WELDED FEET AND CHROME PLATED TRIM.

**SINK CARRIER
FLOOR-MOUNT EXPOSED ARM**

SERIES **17380-HD**

REUSABLE ALIGNMENT TOOL AVAILABLE



- 201	X = 16"
- 203	X = 20"

MANUFACTURER

NUMBER

SIZE

NAME

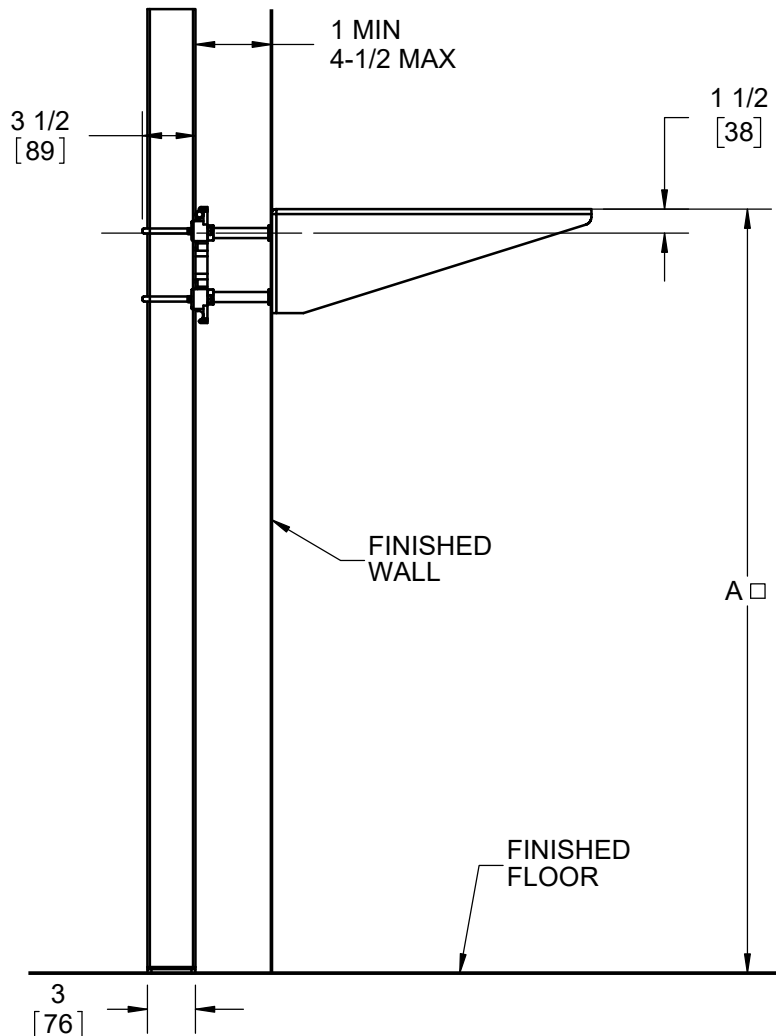
A _____

C _____

RIM HEIGHT BASED ON 'A' DIM SHOWN

VARIABLE - DEPENDS ON FIXTURE

RECOMMEND ALL FEET BE SECURED TO FLOOR WITH 1/2" BOLTS AND ANCHORS BY OTHERS.



X	-HD	HEAVY-DUTY
	-BB	BACK-TO-BACK CARRIER
	-VP	VANDAL-PROOF TRIM

-10	STUDS FOR WALLS OVER 4-1/2" (SPEC. WALL THICKNESS)
-60	VALVE PLATE FOR ATTACHING TO UPRIGHT
-66	SPLIT HEADER FOR STAINLESS STEEL ARMS

WARNING: Cancer and Reproductive Harm - www.P65Warnings.ca.gov

DATE OF LAST CHANGE: 05/31/18

DIMENSIONS ARE SUBJECT TO MANUFACTURERS TOLERANCES AND CHANGE WITHOUT NOTICE. WE CAN ASSUME NO RESPONSIBILITY FOR USE OF SUPERSEDED OR VOID DATA.



MICHIGAN CITY, INDIANA

NOTES