

SPECIFICATION:

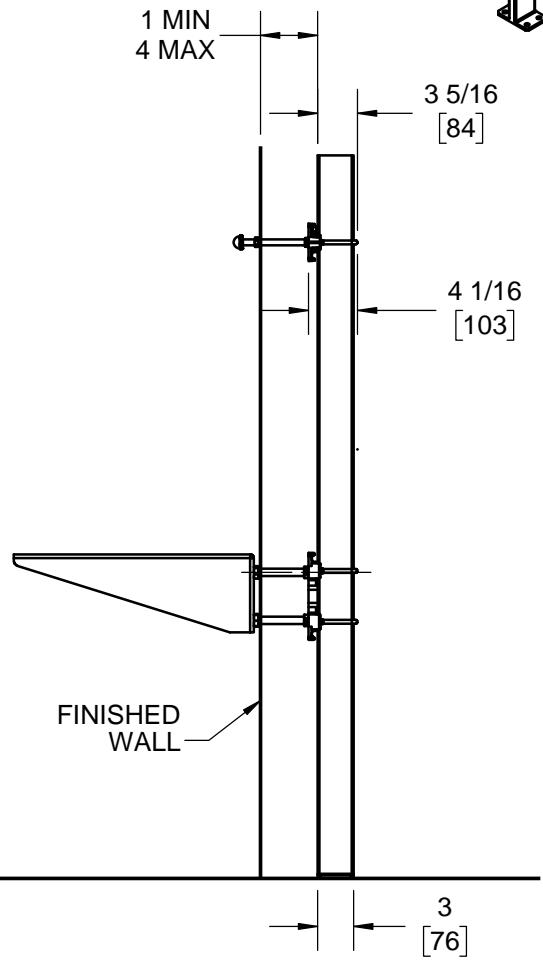
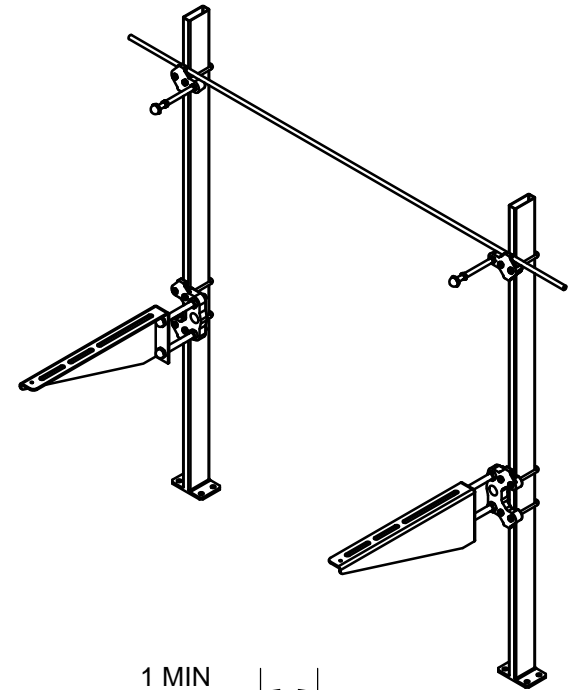
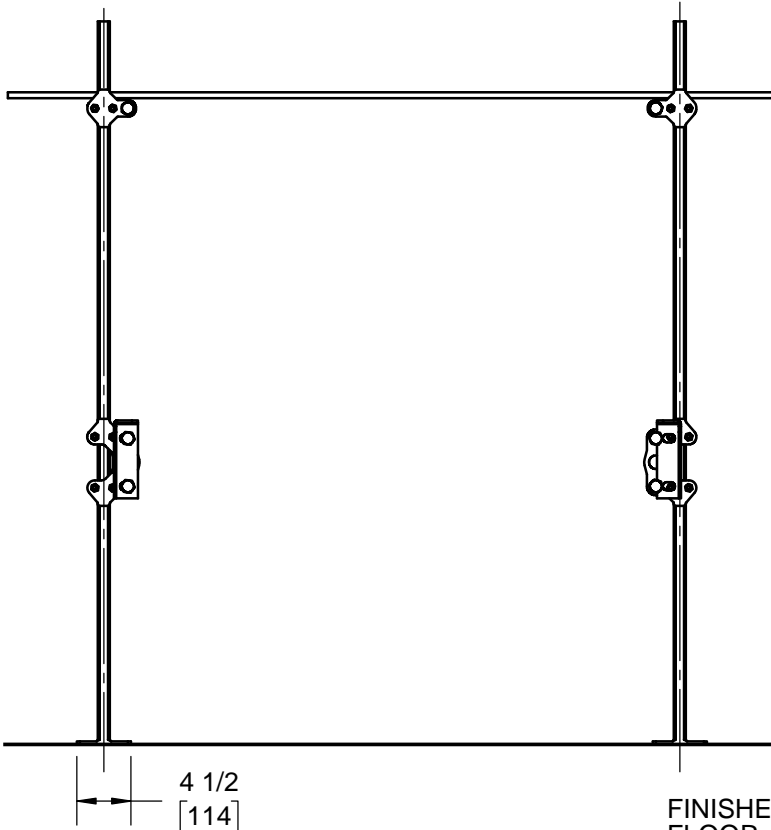
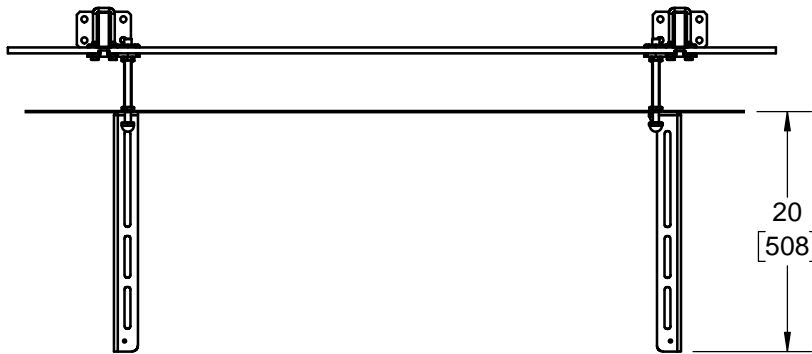
JOSAM 17720-M1459 SERIES FLOOR MOUNTED SINGLE HEAVY DUTY CARRIER WITH ACID RESISTING FINISH EXPOSED ARMS, LEVELING AND SECURING SCREWS, ADJUSTABLE SUPPORTING RODS, PLATED TRIM STRUCTURAL UPRIGHTS WITH WELDED FEET.

**SINK CARRIER
SPECIAL**

SERIES **17720-M1459**

NOTES

1. DIMENSIONS MARKED * VARY DEPENDING ON MOUNTED FIXTURE.
2. RECOMMEND FEET BE SECURED TO FLOOR WITH 1/2" BOLTS & ANCHORS BY OTHERS.



WARNING: Cancer and Reproductive Harm - www.P65Warnings.ca.gov

DATE OF LAST CHANGE: 3/18/2020

DIMENSIONS ARE SUBJECT TO MANUFACTURERS TOLERANCES AND CHANGE WITHOUT NOTICE. WE CAN ASSUME NO RESPONSIBILITY FOR USE OF SUPERSEDED OR VOID DATA.

JOSAM

MICHIGAN CITY, INDIANA

NOTES