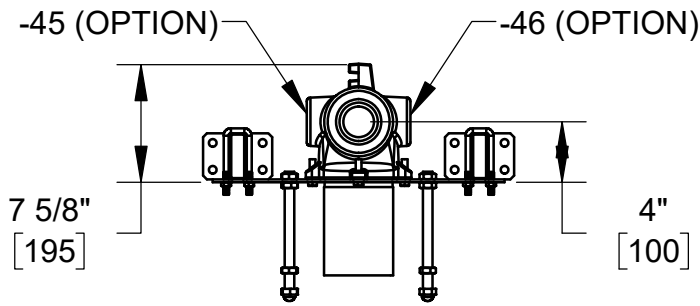


**SPECIFICATION:**

JOSAM 17735 SERIES FLOOR-MOUNTED, SINGLE, HEAVY-DUTY SINK CARRIER WITH SUPPORT PLATES, ADJUSTABLE COUPLING WITH 4" X 2" WASTE FITTING, MOUNTING STUDS, STRUCTURAL UPRIGHTS, WELDED FEET AND CHROME PLATED TRIM.

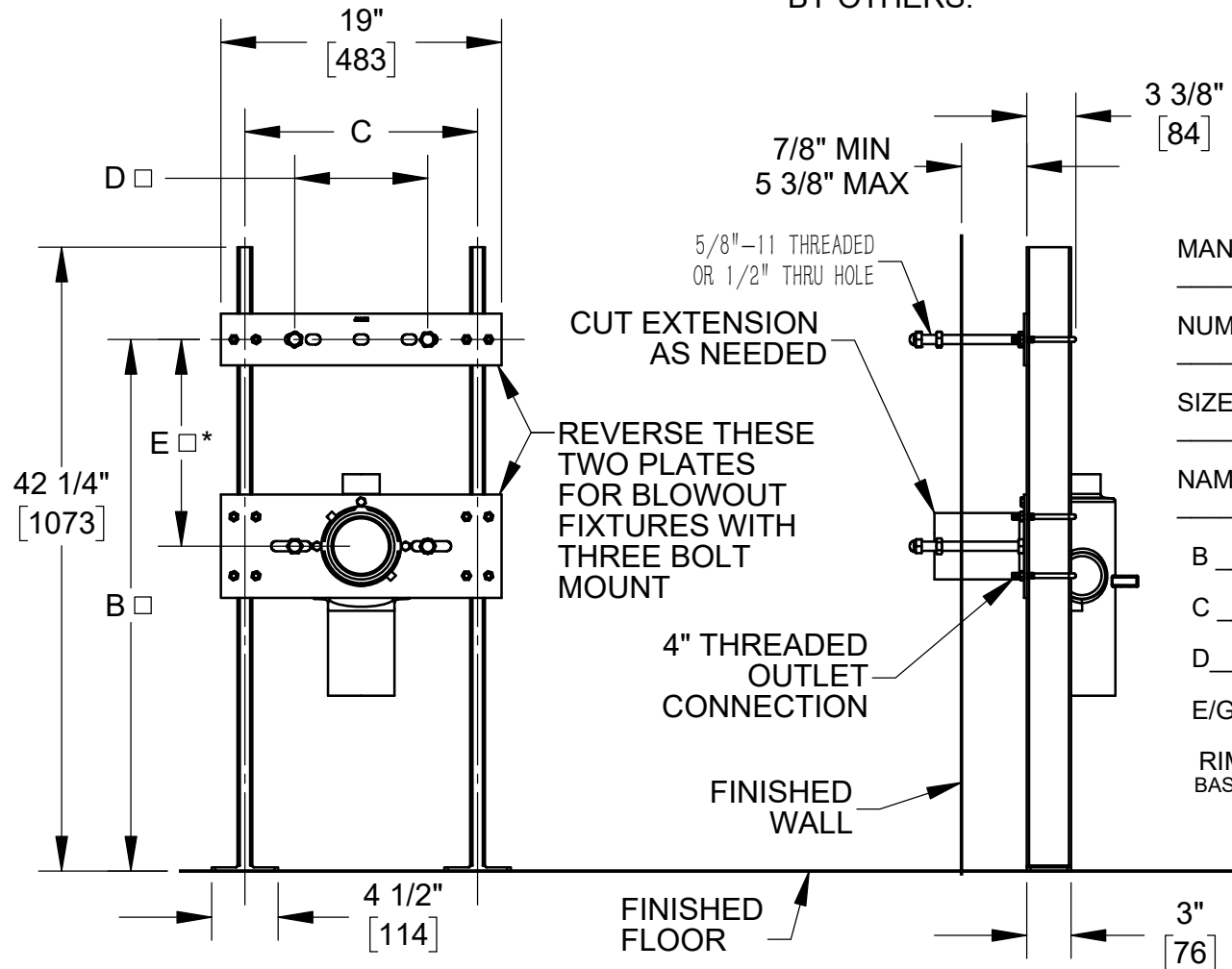
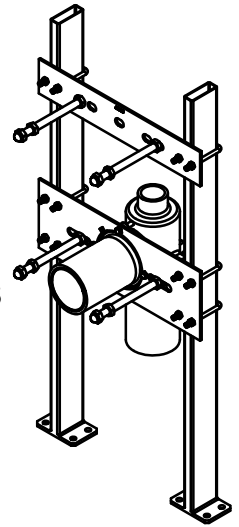
**SINK CARRIER  
FLOOR-MOUNT HEAVY-DUTY**

SERIES **17735**



**NOTES**

1. DIMENSIONS MARKED  $\square$  VARY DEPENDING ON MOUNTED FIXTURE.
2. RECOMMEND FEET BE SECURED TO FLOOR WITH 1/2" BOLTS & ANCHORS BY OTHERS.



MANUFACTURER \_\_\_\_\_

NUMBER \_\_\_\_\_

SIZE \_\_\_\_\_

NAME \_\_\_\_\_

B \_\_\_\_\_

C \_\_\_\_\_

D \_\_\_\_\_

E/G \_\_\_\_\_

RIM HEIGHT  
BASED ON "B" DIM SHOWN

\* G  $\square$  FOR BLOWOUT CONFIGURATION

-VP	VANDAL-PROOF TRIM
-10	STUDS FOR WALLS OVER 5-3/8" (SPEC. WALL THICKNESS)
-11	CAST IRON ADJUSTABLE EXTENSION (SPECIFY 6", 9" OR 12" ON ORDER)
-45	THREADED HIGH LEFT-HAND AUXILIARY VENT
-46	THREADED HIGH RIGHT-HAND AUXILIARY VENT
-60	VALVE PLATE FOR ATTACHING TO UPRIGHT

NOTE: OTHER FITTINGS AVAILABLE UPON REQUEST. CONTACT YOUR JOSAM REPRESENTATIVE

DATE OF LAST CHANGE: 06/19/19

DIMENSIONS ARE SUBJECT TO MANUFACTURERS TOLERANCES AND CHANGE WITHOUT NOTICE. WE CAN ASSUME NO RESPONSIBILITY FOR USE OF SUPERSEDED OR VOID DATA.



MICHIGAN CITY, INDIANA

NOTES