

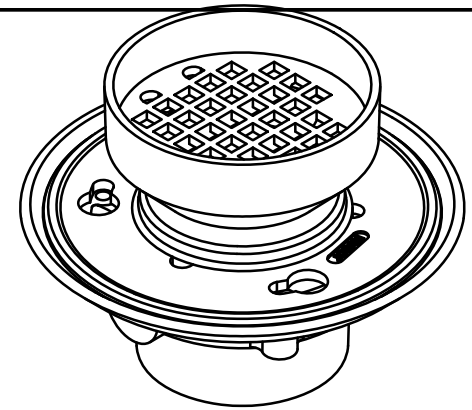
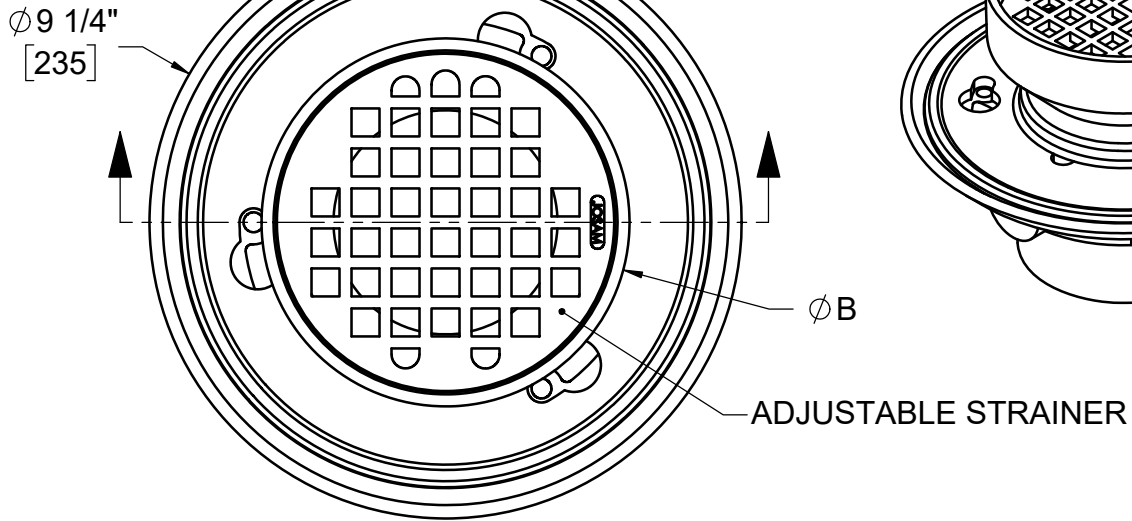
SPECIFICATION:

JOSAM SERIES 30000-E1 CAST IRON FLOOR DRAIN, TWO-PIECE BODY WITH DOUBLE DRAINAGE FLANGE AND 1/2" PRIMER TAP, WEJLOC® INVERTIBLE FLASHING COLLAR, WEEPHOLES, BOTTOM OUTLET CONNECTION AND NIKALOY ADJUSTABLE ROUND STRAINER WITH EXTENDED RIM.

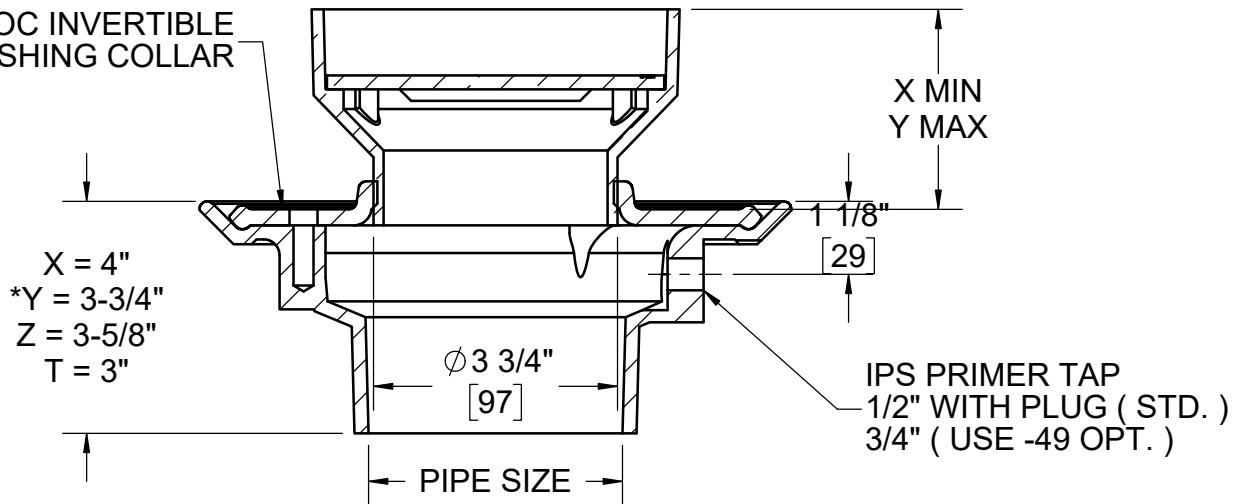
**FLOOR DRAIN
ADJUSTABLE FLOOR DRAIN**

SERIES **30000-E1**

SLOT WIDTH 7/16" (TYP)



WEJLOC INVERTIBLE FLASHING COLLAR



	STRAINER	B	X	Y	FREE AREA
	-6E1	6	2-1/4	3-1/2	4.0
	-7E1	7	1-7/8	3-1/8	8.2
	-9E1	9	2-1/4	3-3/8	21.2

*GASKET ON -Y CONNECTION CONFORMS WITH ASTM-C564

	2"	PIPE SIZE		-92	GALVANIZED CAST IRON PARTS
	3"	PIPE SIZE		-2	BRONZE ADJUSTABLE STRAINER
	4"	PIPE SIZE		-80	PERFORATED STAINLESS STEEL BASKET
	-TSO	THREADED SIDE OUTLET		-J	BACKWATER VALVE
	-ST	WITH SHALLOW TRAP (2" AND 3" ONLY)		-VP	SECURED GRATE, VANDAL-PROOF SCREWS
	-PD	PRISON DRAIN (2" AND 3" ONLY)		-T	THREADED OUTLET
	-ARE	ACID-RESISTING EPOXY		-X	INSIDE CAULK OUTLET
	-49	3/4" PRIMER TAP		-Y	HUB OUTLET WITH GASKET*
	-91	ROUGH BRONZE BODY		-Z	NO-HUB SPIGOT OUTLET

DATE OF LAST CHANGE: 07/2418

DIMENSIONS ARE SUBJECT TO MANUFACTURERS TOLERANCES AND CHANGE WITHOUT NOTICE. WE CAN ASSUME NO RESPONSIBILITY FOR USE OF SUPERSEDED OR VOID DATA.

JOSAM

MICHIGAN CITY, INDIANA

NOTES