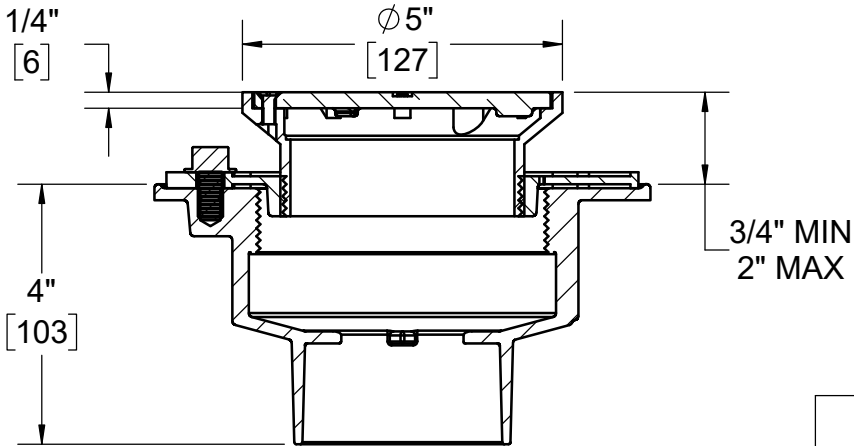
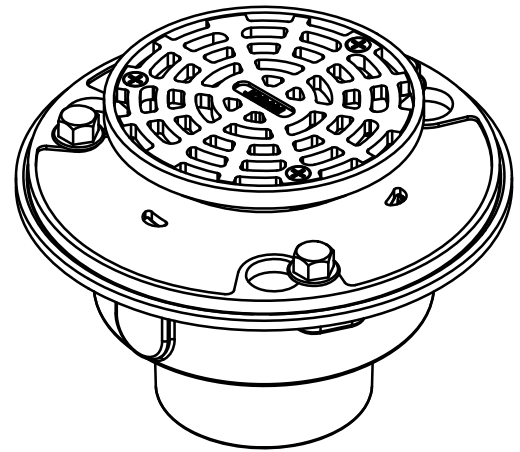
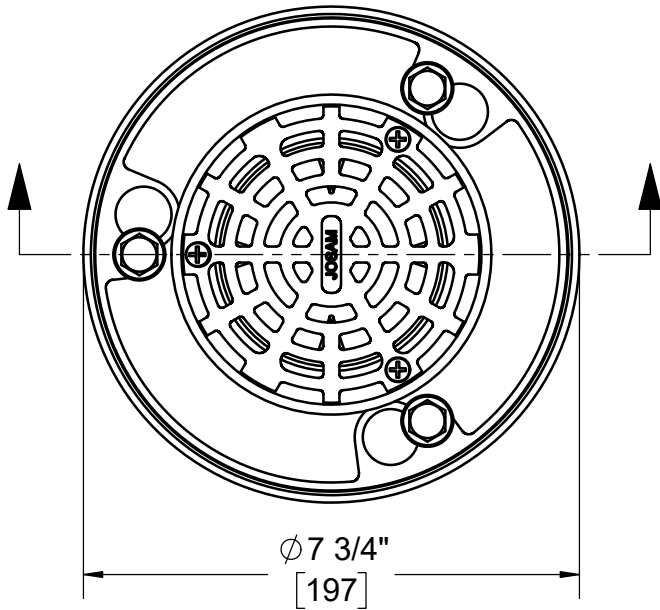


**SPECIFICATION:**

JOSAM FD-310 SERIES 2-PIECE COATED CAST IRON FLOOR DRAIN, 1/2" PRIMER TAP WITH PLUG, INVERTIBLE CLAMP COLLAR, AND 5" ADJUSTABLE ROUND NIKALOY STRAINER.

**FLOOR DRAIN  
5" TOP CAST IRON**

SERIES **FD-310**



MODEL	OUTLET SIZE	OUTLET TYPE
FD-312-Z	2"	NO-HUB
FD-312-Y	2"	HUB
FD-313-Z	3"	NO-HUB
FD-313-Y	3"	HUB
FD-314-Z	4"	NO-HUB

**OPTIONS:**

-VP	SECURED GRATE, VANDAL PROOF SCREWS
-80	PERFORATED STAINLESS STEEL BASKET

WARNING: Cancer and Reproductive Harm - www.P65Warnings.ca.gov

DATE OF LAST CHANGE: 06/27/18

DIMENSIONS ARE SUBJECT TO MANUFACTURERS TOLERANCES AND CHANGE WITHOUT NOTICE. WE CAN ASSUME NO RESPONSIBILITY FOR USE OF SUPERSEDED OR VOID DATA.

**JOSAM**  
MICHIGAN CITY, INDIANA

NOTES