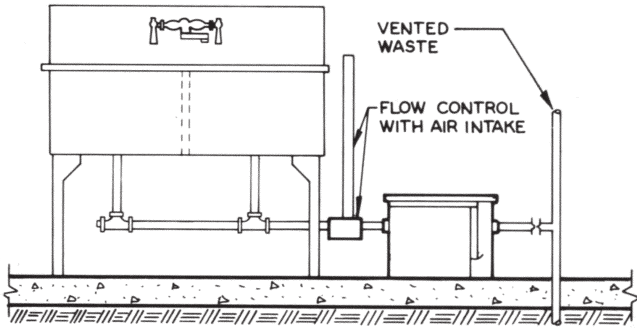


# GREASE INTERCEPTORS

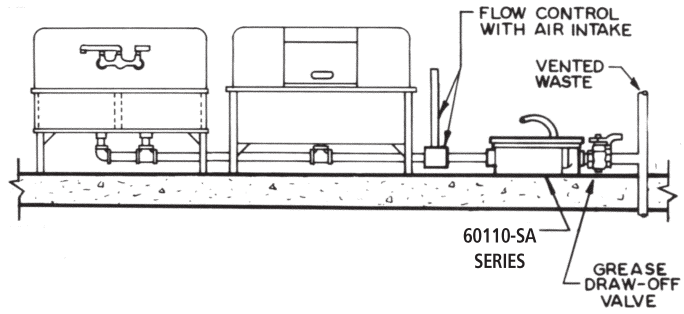
## Typical Installations

The typical illustrations shown below are suggested ways of installing various types of JOSAM Interceptors. All installations are subject to government and local code requirements.

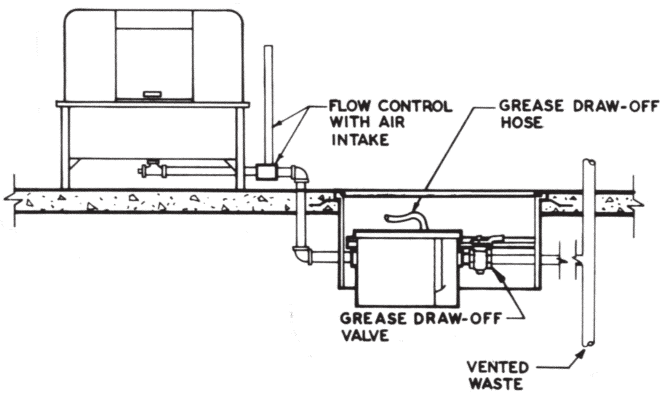
INTERCEPTORS



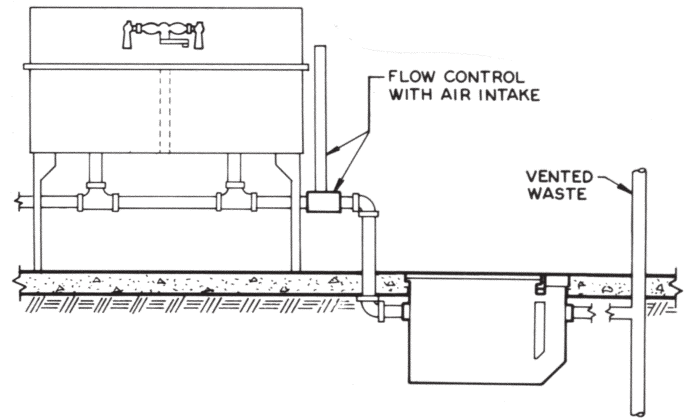
60100H Series Interceptor on floor, servicing a sink.



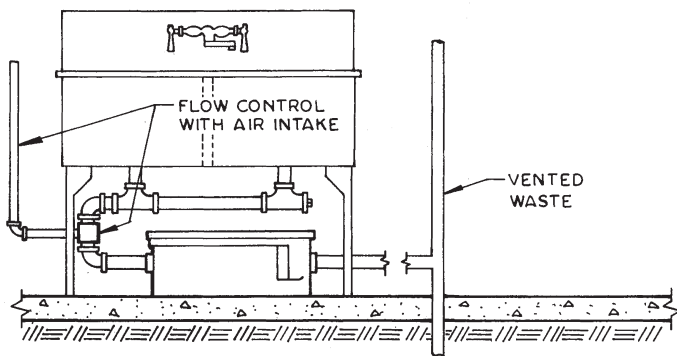
60110-SA Series Semi-Automatic shallow Interceptor installed on floor, servicing a double compartment sink and dishwasher.



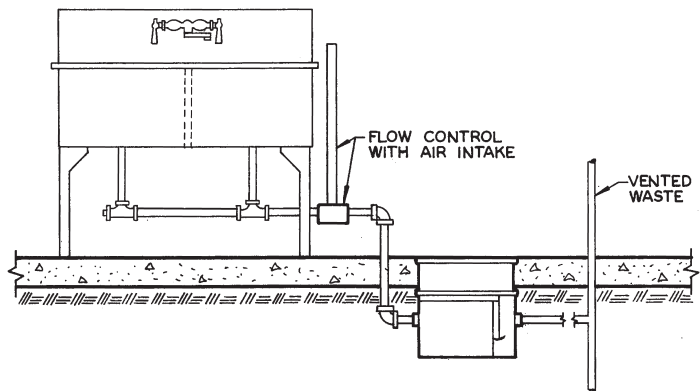
60100-SA-RT Series Semi-Automatic Interceptor recessed flush with floor, servicing a dishwasher.



60210A-EXT Series Interceptor recessed flush with floor, servicing a sink and an additional fixture.



60115A Series Interceptor installed on floor under sink.  
(Recommended only if there is adequate head room for cover removal and service.)



60100H-EXT Series Interceptor recessed with deep roughing extended flush with floor.

**NOTE:** Install air intake from flow control to outside of building and terminate with elbow, turned down or intersect a local vent or vent stack without trap if permitted by code. Top of air intake from flow control should not be lower than rim of fixture.